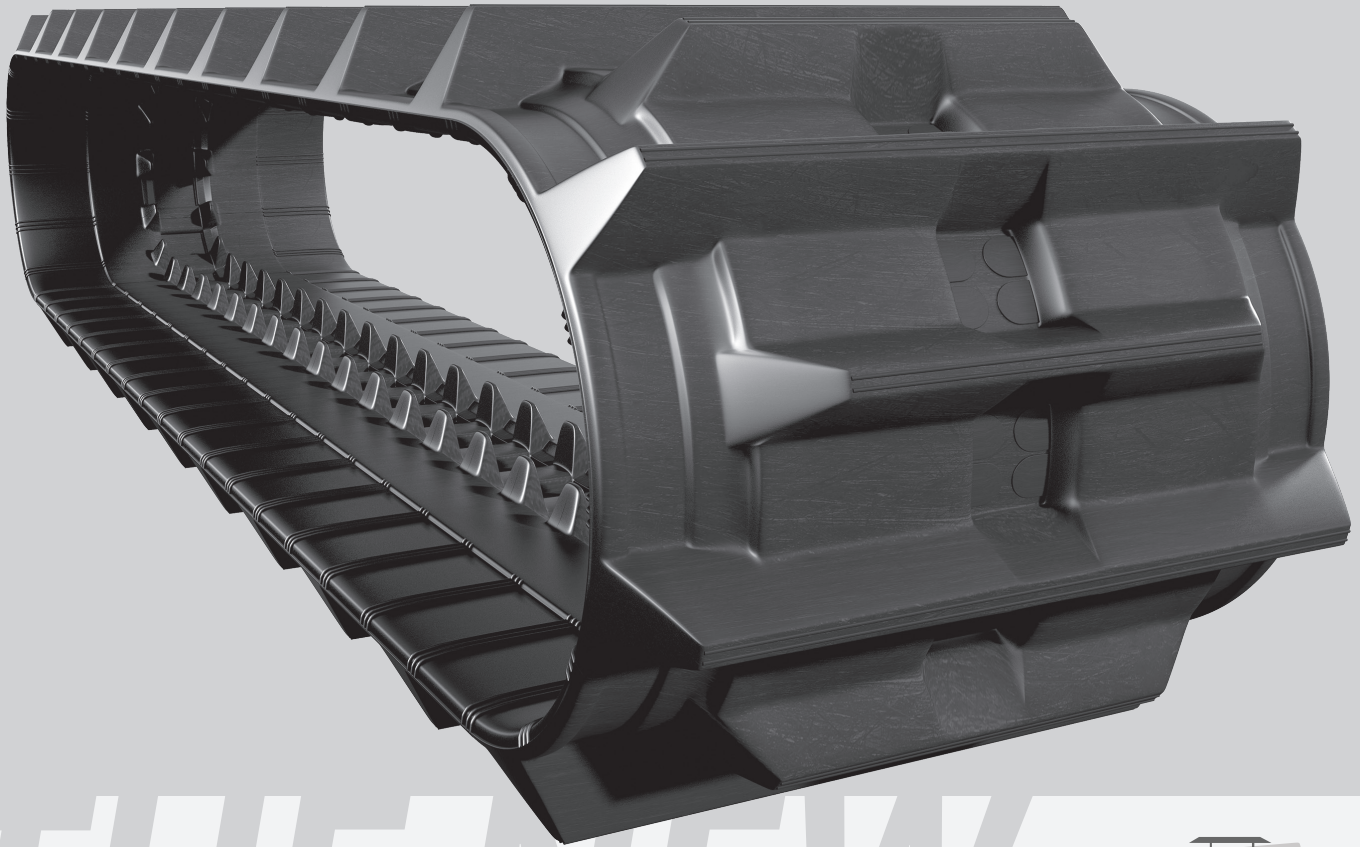


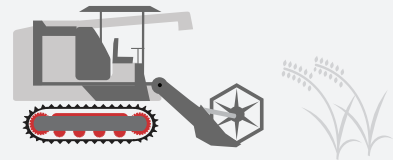
 **FIELDMASTER**[®]
Multi-Season Series
Agricultural Rubber Tracks



 **FieldMaster**[®]
Multi-Season Series
Agricultural Rubber Tracks



FieldMaster



SpoolRite Belting Technology

EWf System™

Extra Large-Diameter Cables

HRAT Compound™

5-RT Compound™

Four-Step Metal-to-Rubber Bonding

McLaren Industries has invested years in R&D to create the highest quality rubber compounds and track designs. Our continuous improvement has led us to the development of **FieldMaster Multi-Season Series** agricultural rubber tracks, the latest chapter in rubber track manufacturing.

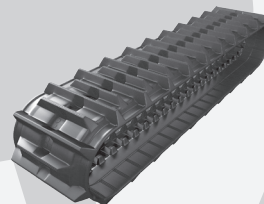
McLaren invests relentlessly in innovation, giving you direct access to the latest in rubber track design and manufacturing!



WHAT MAKES A FIELDMASTER

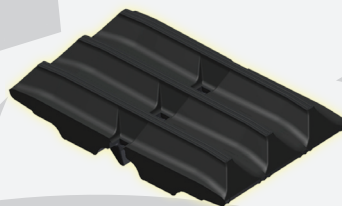
SpoolRite Belting Technology™

Exclusively designed by McLaren, SpoolRite Belting is vastly superior to alternative overlapping or standard continuous cable track systems. It utilizes pre-stressed and aligned non-overlapping continuous belting system to guarantee equal tension throughout the track belts and increase tensile strength.



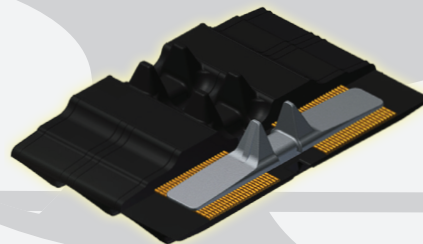
Four-Step Metal-to-Rubber Bonding

The enhanced bond between the forged links and the rubber track reduces corrosion between the forgings and the rubber in wet environment. The higher bonding strength also prevents link ejection even under extreme stress and heavy loads.



Extra Large-Diameter Cables

With up to 2x times the tensile strength of the standard rubber tracks, this unique for the industry feature prevents track breakage under extreme shock loads and maximizes the full potential of the machine's power.



EWf System™

Extra-Wide Forgings System provides a wider steel belting for increased track strength and stability.

HRAT Compound™

High-Performance Rolling Area Track compound designed to carry the full load of the machine at full capacity.

5-RT Compound™

Specially designed for harvesters, with longer lasting tear and cut resistant material. It features greater UV protection to prevent cracking.

KEY SPECS

Size	280x79	400x90	450x90	450x90	500x90	550x90
Track Width	280 mm	400 mm	450 mm	450 mm	500 mm	550 mm
Pitch	79 mm	90 mm	90 mm	90 mm	90 mm	90 mm
Links	36-41	47	60	51	53	56
Lug Pattern	Y7	Z1	YT1	Z1	Z1	Z1
Steel Cord Height	16 mm	25 mm	21 mm	20.8 mm	20.8 mm	20.8 mm
Inner Guide Width	37 mm	38 mm	36 mm	36 mm	32 mm	32 mm
Outer Guide Width	80 mm	76 mm	97 mm	85 mm	86 mm	86 mm
Max Machine Weight	1500 kg	3000 kg	6000 kg	3500 kg	4000 kg	4500 kg
Weight/Link	1 kg	2.15 kg	4.33 kg	2.6 kg	2.99 kg	4 kg
Primary Application	Harvester	Harvester	Harvester	Harvester	Harvester	Harvester

Gain the McLaren Advantage

McLaren Industries, Inc. is one of the world's leaders in the design and manufacture of steel tracks, rubber tracks, rubber pads, solid cushion tires, and undercarriage parts for a wide range of construction machines, carrier vehicles, and agricultural equipment. McLaren's commitment to quality manufacturing is appreciated by a continuously growing list of OEM customers worldwide. To learn more about McLaren's product lines, please visit us online at www.mclarenindustries.com.



Global Contacts

McLaren Industries, Inc.

12440 Carson Street
Hawaiian Gardens, CA 90716, USA
Toll free (800) 836-0040
Tel: (310) 212-1333;
Fax: (310) 212-5666
sales@mclarenusa.com

R & D Division

McLaren Industries, Inc.
9985 103rd Street
Jacksonville, FL 32210, USA
Phone: (310) 212-1333
Fax: (310)-212-5666

McLaren Deutschland GmbH

65760 Eschborn/Frankfurt, Germany
Tel: +49-6196-2023-671
Tel: +49-6196-9994-230
Email: sales@mclareneurope.com

McLaren Thailand

Rayong 21140, Thailand
Tel: +66-38-955978 ext.100
Fax: +66-38-955974
Email: sales@switzmclaren.com

McLaren Bulgaria, Ltd.

Plovdiv 4020, Bulgaria
Tel/Fax: +359-32-24-24-00
Email: sales@mclareneurope.com

McLaren China

Taizhou City 318000, China
Tel/Fax: +86-576-89069-555
Email: sales@mclarenchina.com